

Input/relay output modules

Model number

IM461087A

Interlocking

IM465022A (DIN)

Interlocking

IM461088A

Independent

IM465023A (DIN)

Independent



This I/O module is designed to function as a Foundation Fieldbus node with termination points for connecting switches/sensors, as well as relay outputs to operate devices like motors and other high power devices. Outputs can be interlocked to operate AC motors or independent to operate independent AC loads. Outputs can be configured to fail on or off.

Inputs and outputs

- Two (2) discrete inputs
- Two (2) discrete (relay) outputs
- One (1) analog input (4-20mA)
- One (1) analog output (4-20mA)

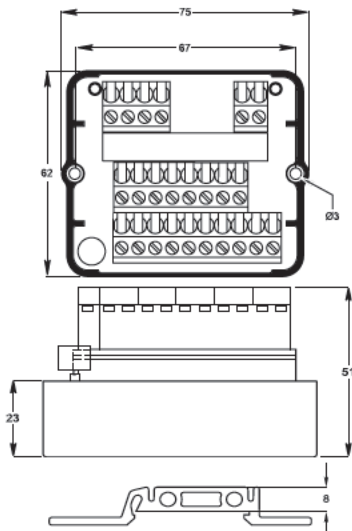
Features

- Pre-determined output fail state



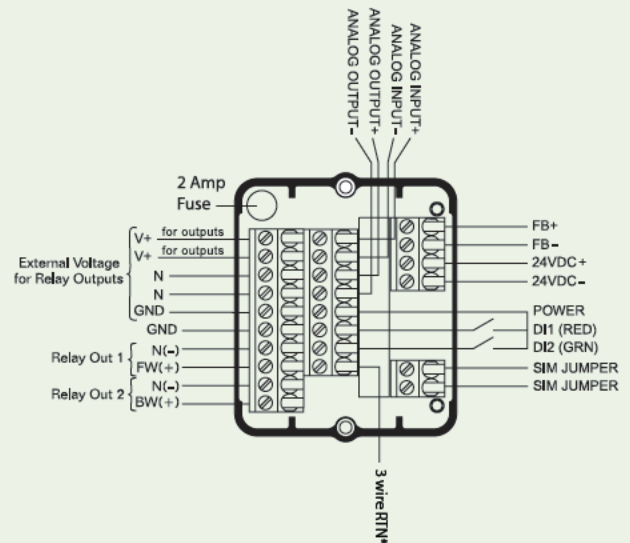
Specifications	
Discrete inputs	(2) 6.5 VDC < .045 mA, must be low power dry contact capable of operating at < .045 mA @ 6.5 VDC or solid state pnp capable of operating at 6.5 VDC and < 1 mA
Discrete outputs (relay)	independent (2) 120/250 VAC @ 2A independent for other AC loads
	interlocking (2) 120/250 VAC @ 2A interlocked for motor operation
Analog input	(1) analog (4-20 mA) input 10-bit resolution (0.1%)
Analog output	(1) analog (4-20 mA) output 10-bit resolution (0.1%)
Operating voltage	9 to 32 VDC via Foundation Fieldbus voltage
Current consumption	< 17 mA
Indication	(2) LEDs indicate discrete input status (red/green)
External voltage (analog I/O)	24 VDC via external power
External voltage (relay outputs)	Up to 250 VAC; 30 VDC
Dimensions (L, W, H)	75mm, 62mm, 51mm
Housing	Engineered resin
Operating temperature	-40° to +80°C (-40° to +176°F)

Dimensions (mm)



DIN rail clip only applies to DIN models.

Wiring diagram



**Only for use with 3 wire PNP sensors*



Valmet's professionals around the world work close to our customers and are committed to moving our customers' performance forward – every day.

Valmet Flow Control Oy

Vanha Porvoontie 229
01380 Vantaa, Finland
flowcontrol@valmet.com
+358 10 417 5000
valmet.com/flowcontrol

**Valmet Flow Control Inc.
Stonel product center**

26271 US Hwy 59, Fergus Falls, MN 56537 USA.
Tel. +1 218 739 5774.
sales.stonel@valmet.com
valmet.com/flowcontrol

